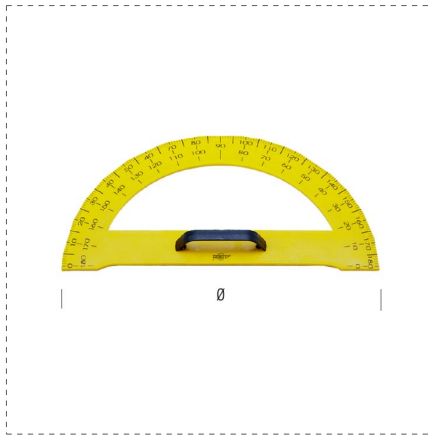


CUTTING





SPECIAL PROTRACTOR FOR GLASS



DETAILS

- Special protractor for glass
- Flexible plastic, no scratch
- With handle
- Section 40 x 4 mm

ARTICLES OF THE RANGE

Ref.		 cm		
50540	8001066505401	33	1°	1