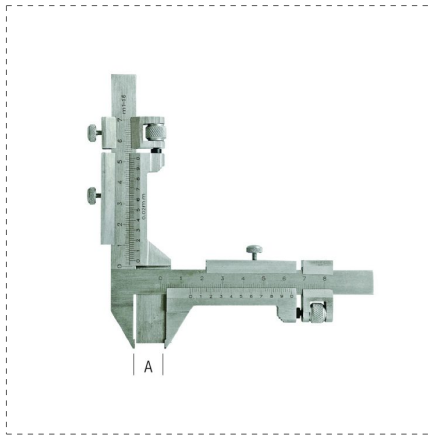


MECHANICAL MEASUREMENTS




# GEAR VERNIER CALIPER



## DETAILS

- Hardened stainless steel
- Two verniers with fine adjustment
- Wooden case

## ARTICLES OF THE RANGE

Ref.		A mm	 mm	
10181	8001066101818	mod. 1 ÷ 18	0.02	1
10182	8001066101825	mod. 5 ÷ 36	0.02	1

## GALLERY

