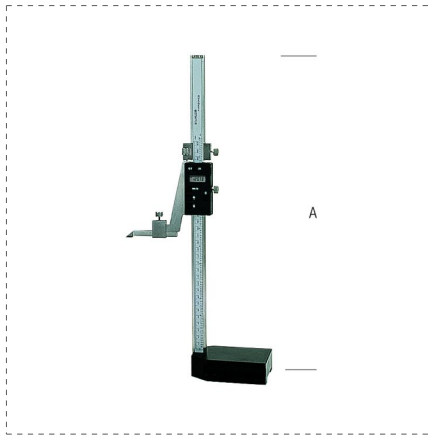


TRACING AND MARKING




ELECTRONIC DIGITAL HEIGHT GAUGE



DETAILS

- Electronic digital height gauge
- Hardened stainless steel
- Micrometric screw for fine adjustment
- Reading 0,01 mm
- Resetting for comparative measurements
- Conversion mm/inch
- Carbide scriber
- Wooden case

ARTICLES OF THE RANGE

| Ref. |  | A mm |  mm |  |
|-------|---|----------|---|---|
| 45070 | 8001066450701 | 0 - 300 | 0.01 | 1 |
| 45071 | 8001066450718 | 0 - 500 | 0.01 | 1 |
| 45072 | 8001066450725 | 0 - 1000 | 0.01 | 1 |

GALLERY

