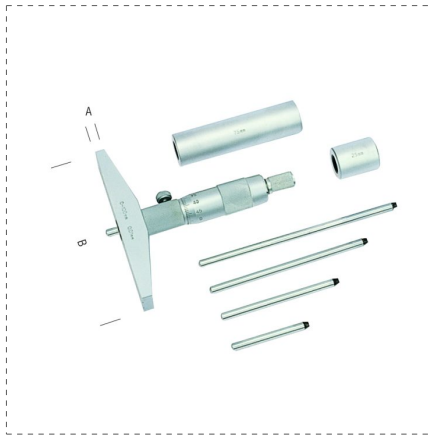


MECHANICAL MEASUREMENTS




DEPTH MICROMETER



DETAILS

- Reading 0,01 mm
- Bridge length 100 mm
- Wooden case
- Accuracy DIN 863

ARTICLES OF THE RANGE

Ref.		A mm	B mm	 mm/mm	
44090	8001066440900	0 - 100	100	0.01	1
44091	8001066440917	0 - 200	100	0.01	1

GALLERY

