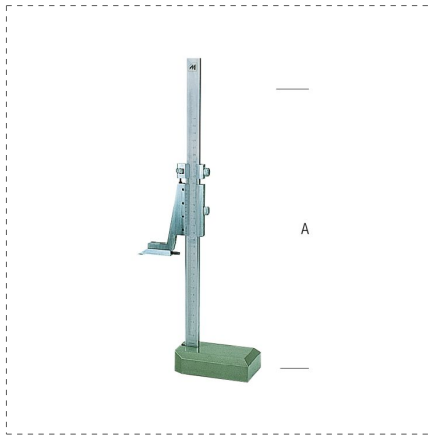


TRACING AND MARKING




PRECISION GRADUATED HEIGHT GAUGE



DETAILS

- Precision graduated height gauge
- Hardened stainless steel
- chromium plated scale
- Micrometric screw
- Carbide scriber
- Prismatic base
- Wooden case

ARTICLES OF THE RANGE

Ref.		A mm	 mm	
45050	8001066450503	0 - 300	0.02	1
45051	8001066450510	0 - 500	0.02	1

GALLERY

