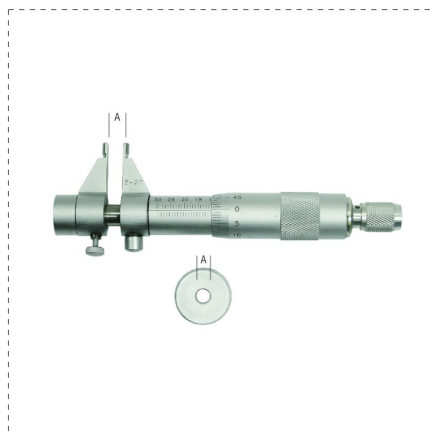


MECHANICAL MEASUREMENTS

## INSIDE MICROMETER



### DETAILS

- Reading 0,01 mm
- With jaws
- With testing rings included
- Wooden case
- Accuracy DIN 863

### ARTICLES OF THE RANGE

Ref.		A mm	 mm/mm	
44101	8001066441013	5 - 30	0.01	1
44102	8001066441020	25 - 50	0.01	1
44103	8001066441037	50 - 75	0.01	1
44104	8001066441044	75 - 100	0.01	1

Ref.		A	
44106	8001066441068	50 mm	1
44107	8001066441075	75 mm	1

### GALLERY



